

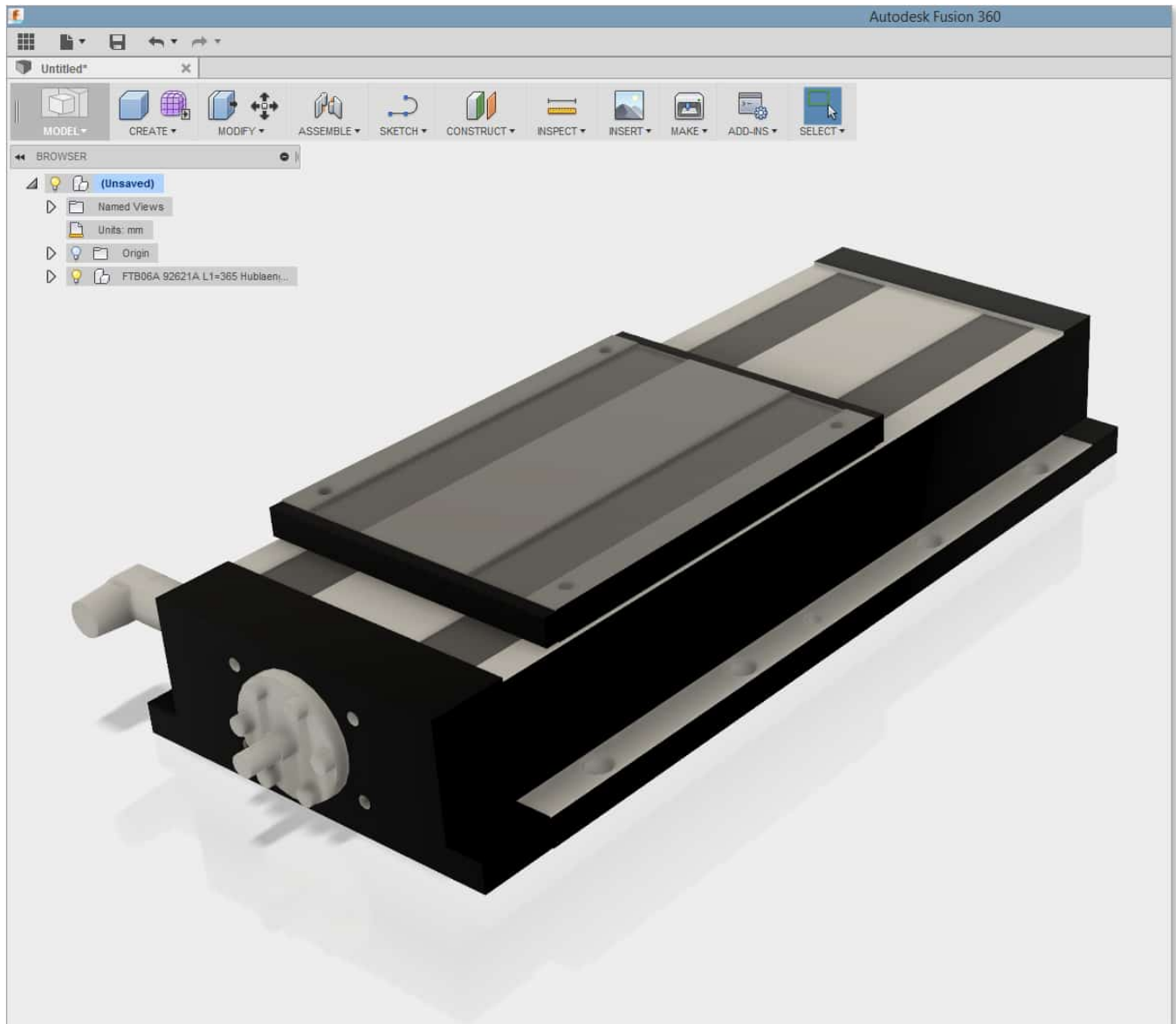


DOWNLOAD



DOWNLOAD

[Fusion 360 Pdf Manual](#)



[Fusion 360 Pdf Manual](#)



DOWNLOAD



DOWNLOAD

It connects your entire product development process in a single cloud-based platform that works on both Mac and PC.. The tools in Fusion 360 enable fast and easy exploration of design ideas with an integrated concept-to-production tool set.. Version Release Date What's new 4 0 0 0 Enhancement: Added miscellaneous tab in preferences dialog.

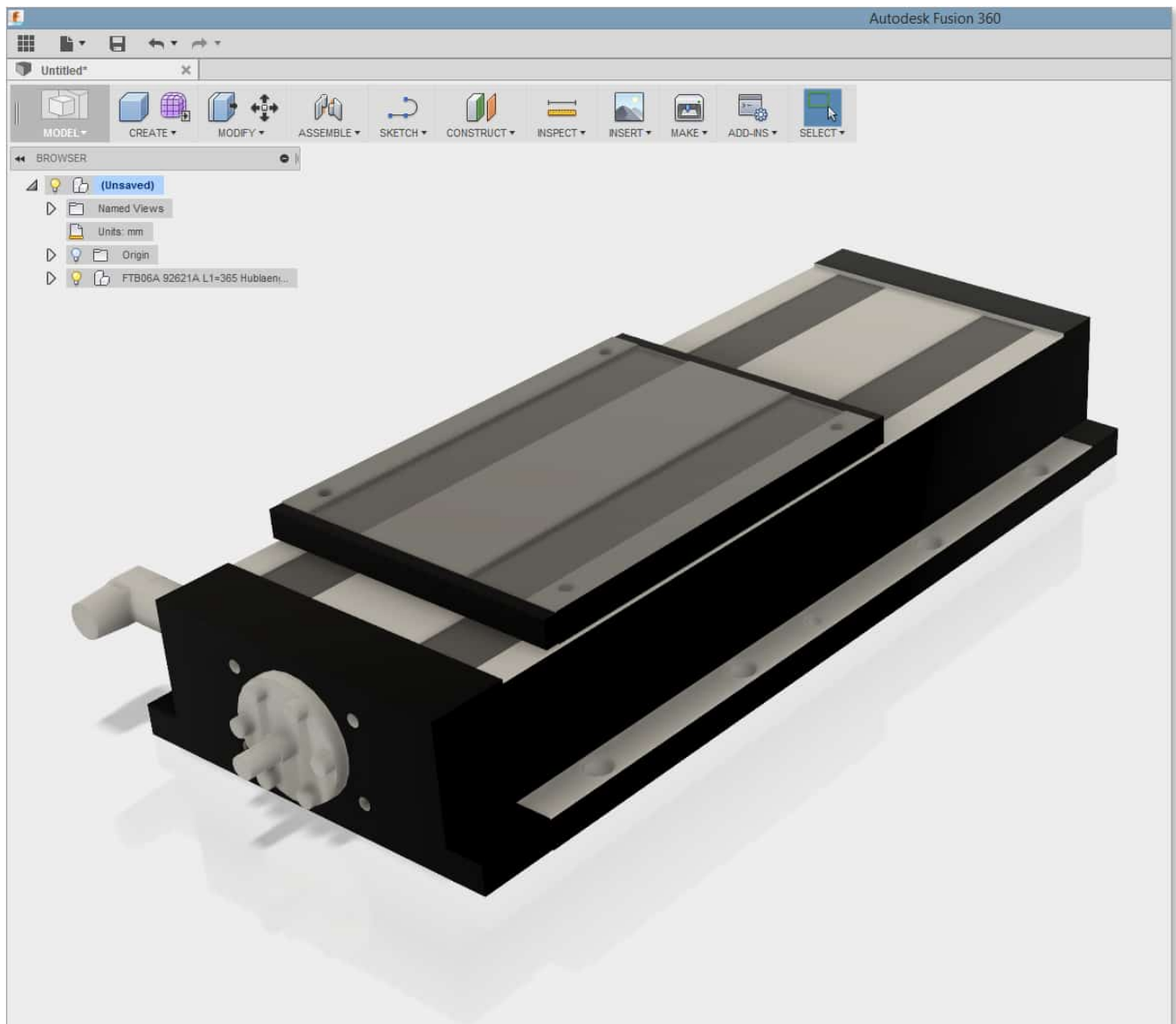
1. [fusion manual](#)
2. [fusion manual nc](#)
3. [fusion manual razor blades](#)

For activation or any query, please contact at Name Range Discount Product Offer 3 - 4 8% Product Offer 5 - 9 12% Product Offer 10 - 999 16%.. Local file export types include IGES, SAT, SMT, STEP, F3D, and DXF ProtoTech Solutions launched AddIn for Autodesk® Fusion 360™ and have expertise with its API.. Fixed: Model was not exported with PDF Template 3 2 0 0 Enhancement: 1 Selected entities can be exported.

fusion manual

fusion manual, fusion manual razor blades, fusion manual transmission, fusion manual razor, fusion manual nc, fusion manual lidar, ford fusion manual, ford fusion manual transmission, 2012 ford fusion manual, 2014 ford fusion manual, fusion manual existe, fusion manual 2010, fusion manual 2007, fusion manual 2012 [Coaster Daybed Assembly Instructions](#)

It combines industrial and mechanical design, simulation, collaboration, and machining in a single package.. Other benefits of having 3D PDF includes ease of Archiving, Record maintenance, Process compliance, Security, etc. [Free download program Starbucks Limited Edition Ceramic Tumbler](#)



[Dell Dccy Audio Drivers Download](#)

fusion manual nc

[Adobe Photoshop For Mac Trial Version](#)

1 2 0 Bug Fixes: Saving the file with extension correctly 1 1 0 Improvements:1 Added Preferences & About us dialog which helps the user to set different export-related attributes & activate the product.. pdf) on local system This AddIn is live on Autodesk® Fusion 360™ app store Fusion 360 Pdf Manual Pdf3D PDF Technology is the most commonly accepted standard in collaborative Business processes.. 0 1909 3D PDF Exporter Fusion 360 is the first 3D CAD, CAM, and CAE tool of its kind.. Fusion 360 Pdf Manual PdfHonda Pdf ManualFusion 360 Pdf ManualUpdated Date: 01-June-2018 Version Supported: Fusion360 2.. 3 0 0 Update: Updated technical support contact details 1 3 0 Feature: Added functionality to control the mesh quality of the exported model. [Ableton Live Suite 9.0.1 Mac Keygen](#)

fusion manual razor blades

[Mp3 Joiner App For Android Free Download](#)

Autodesk Inventor Fusion: Getting Started As you use Inventor Fusion, you specify modes of operation, range limits, and other options.. Since the Inventor Fusion user interface does not employ dialog boxes, there are other access modes to set these options.. 3D PDF Exporter for Autodesk® Fusion 360™ exports CAD models into 3D PDF file (.. Enhancement: Hidden entities are exported to the PDF They remain hidden in an exported model and user can 'unhide' them from model tree.. This brings the ease of distribution, Engineering collaboration, and format consistency of sharing CAD designs from different CAD packages.. Autodesk® Fusion 360™ support both cloud and local export, Cloud export file types include Inventor 2014, IGES, SAT, SMT, STEP, DWG, DXF, STL, FBX, and F3D.. 2 Added Progress bar for the export operation 3 1 0 0 Fixed: Unicode characters (other than the English language) were not displayed correctly in the Model tree. 773a7aa168 [How Much Is The Millenium Cabbage Patch Doll Worth](#)

773a7aa168

[Free Text Expansion App For Mac](#)